



**CONVEY-ALL**  
**INDUSTRIES INC.**

***PADDLE BELT  
TUBE CONVEYOR***  
**1600 Series**

*INNOVATIVE QUALITY SOLUTIONS*



This patented Paddle Belt design can operate at speeds of 600 feet per minute at a 40 degree angle.



The conveyor can be permanently placed without an undercarriage, to operate on site.

## INNOVATIVE SOLUTIONS FOR OVER 30 YEARS

This paddle belt design gives the operator the ability to greatly increase the angle of operation, while maintaining maximum conveying capacity.

This new belt design is capable of running the TCP series conveyors at a 40 degree angle, while still boasting 4000 bushels per hour.





The conveyor can be used in a permanent, self-supporting configuration.



Designed to be equipped with a smooth, quiet operating, electric drive.

- Excellent Clean-out Access
- Adjustable 3 Position Hitch
- Enclosed Belt Return Ensures Long Belt Life

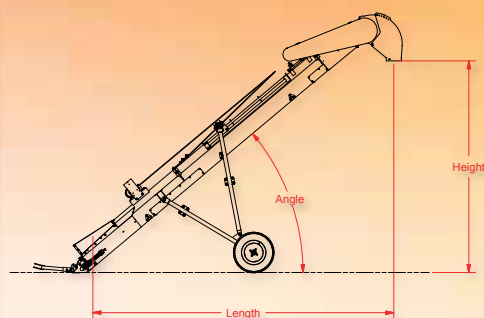
- Smooth, Quiet, Electric Drive
- Superior Quality Construction
- Undercarriage Meets Highway Transport Regulations



## SPECIFICATIONS:

- Undercarriage: A-Frame
- Tube Diameter: 10"
- Conveyor Belt: 16" Paddle Belt
- Capacity: 4000 Bushels/Hr @ 40°

Model	Axle Width	Transport Height	Transport Length
TCP-1620	6' 9"	6' 10"	24' 4"
TCP-1625	8' 5"	9' 11"	28' 9"
TCP-1630	8' 5"	11' 9"	33' 4"
TCP-1635	8' 5"	12' 8"	38' 4"
TCP-1640	8' 5"	12' 9"	43' 7"
TCP-1645	8' 5"	13' 4"	48' 7"



Model	30°		35°		40°	
	Discharge Height	Length	Discharge Height	Length	Discharge Height	Length
TCP-1620	8' 9"	18' 2"	10' 3"	17' 6"	11' 8"	16' 8"
TCP-1625	11' 3"	22' 6"	13' 1"	21' 7"	14' 11"	20' 6"
TCP-1630	13' 9"	26' 10"	16' 0"	25' 8"	18' 1"	24' 3"
TCP-1635	16' 3"	31' 2"	18' 10"	29' 9"	21' 4"	28' 2"
TCP-1640	18' 9"	35' 6"	21' 9"	33' 10"	24' 6"	32' 0"
TCP-1645	21' 3"	39' 10"	24' 7"	38' 10"	27' 9"	35' 9"

Heights measured to bottom of discharge spout. Lengths measured from middle of hopper to middle of discharge. Measurements subject to change without notice.



130 CANADA STREET  
 WINKLER MANITOBA R6W 0J3  
 CANADA  
 1.800.418.9461  
 P: 204.325.4195 F: 204.325.8116  
[convey-all.com](http://convey-all.com)