

SandTender

Manufactured by:

CONVEY-ALL
INDUSTRIES INC.



The SandTender holds and delivers proppant onsite with intent to convey product to a secondary belt or blender at a controlled delivery rate. This unit is designed to work in harsh conditions and is easily transportable from one job site to another.

LED WORK LIGHTING

For a bright, power-efficient and continuous light source at all operator stations



HIGH CAPACITY CONVEYANCE SYSTEM

Conveys up to 3-4 ton per minute.
Designed without rollers for decreased maintenance

ELEVATED WORK PLATFORM

Allows operator to see into the blender

EFFICIENT FILL TUBES

Schedule 80 tubes for loading; easily replaced from outside of tank area

OIL RESERVOIR

• 70 gallon capacity

PAINT

• Accent colour customizable

HYDRAULIC MOTORS

METAL FENDERS

TEXTURED TOP SURFACE

For increased slip protection

SAFETY RAILS



MINIMAL RESISTANCE

All hopper slope sheets maintain at least a 40° angle

SPECIFICATIONS

- Length: 20'
- Width: 8'6"
- Height: 13'6"
- Weight: 8,500 lbs. (approximate)

COLD WEATHER PACKAGE AVAILABLE

Handles temperatures down to -40°C

SAFETY

The Convey-All Sand Tender has been designed with safety in mind. From the textured roof surface, flip up safety rails and LED work lighting you can be sure that operators are working safely and efficiently.



LED WORK LIGHTING

Bright, power-efficient and continuous light source at all operator stations



FULL LENGTH CATWALK

- Catwalk runs the entire length of the unit, designed to provide traction in the worst possible conditions
- Ladder at front as well as at rear



COVERED GATE

Gate is covered by steel bars to protect any large unwanted objects from passing through onto the conveyor, overall opening for each gate is 12" x 12"



ELEVATED WORK PLATFORM

Work platform at rear on unit for operator to stand on so they are elevated to be able to see into the blender.

LOADING & UNLOADING



LOADING

- Fill tubes are bolt-in schedule 80 pipe for ease of replacement.
- Diffusers located at top of fill tube, made from QT360 plate for long life and great wear resistance
- Center section of top is roll tarp for easy filling and viewing into tank.

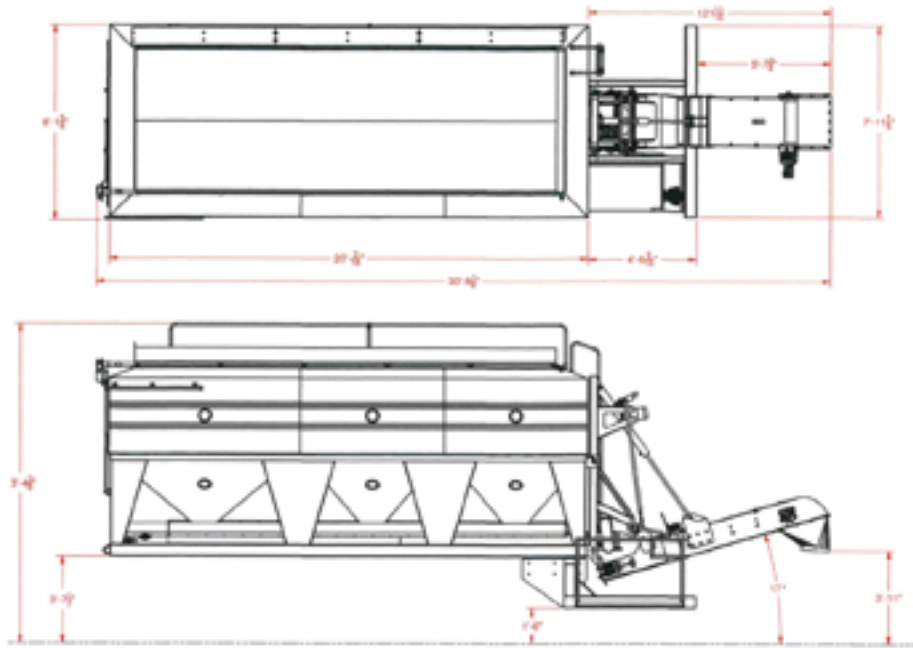


UNLOADING

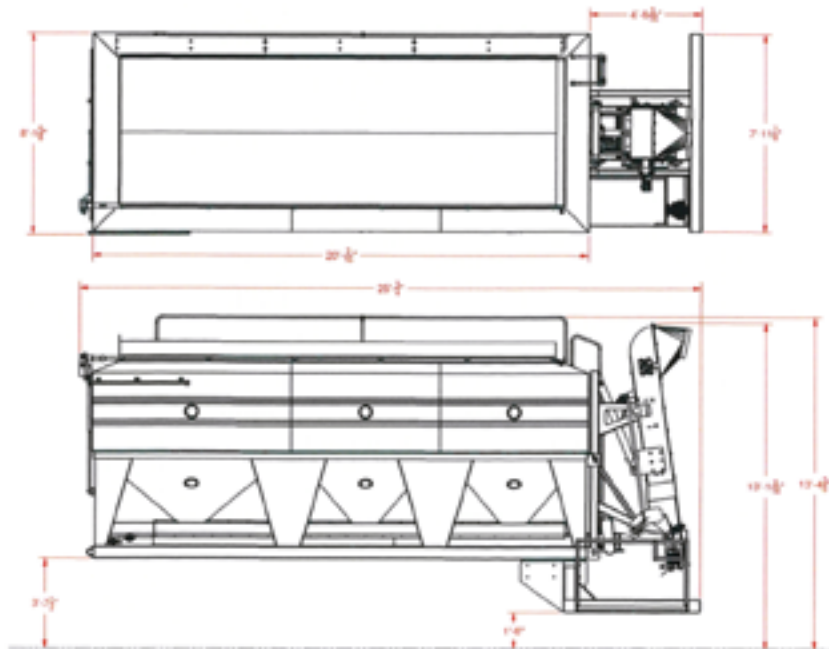
- All hopper slope sheets maintain at least a 40° angle
- Two conveyor system for easy unloading, motors run in series to ensure that one cannot over feed the other
- Eaton hydraulic motors

SPECIFICATIONS

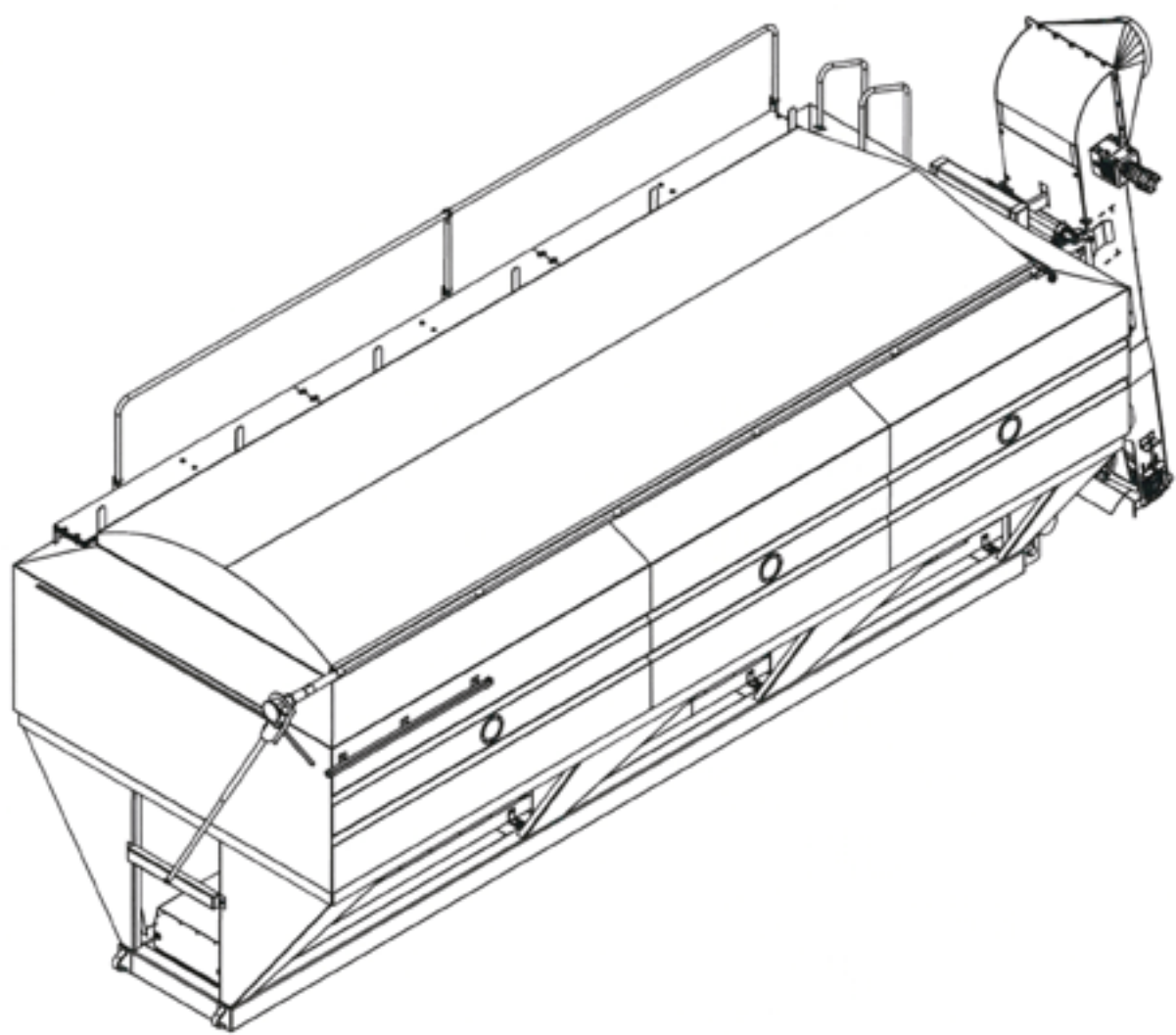
OPERATING POSITION



TRANSPORT POSITION



TRANSPORT POSITION



CONVEY-ALL
INDUSTRIES INC.

130 CANADA STREET
WINKLER MANITOBA R6W 0J3
CANADA
1-800-418-9461
P: (204) 325-4195
F: (204) 325-8116
convey-all.com

